



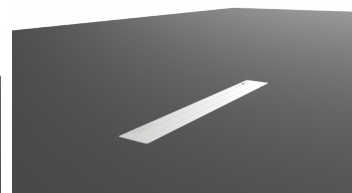
# Motorized Retractable Monitor



## Keywords

- *Ultra-narrow bezel*
- *Ergonomic design*
- *Anti-glare treatment*

CE  
FCC



Thanks for choosing us,  
Please read this instruction carefully before using the device.



*Please remove the transportation screws in the back, right, left side of housing and protection foam of the screen before power up to avoid damage to the product!*

In order to make sure the device is working properly, please follow below instructions:

- If found any abnormal situation, please cut off the power, plug off the power cord and contact the supplier. To avoid any fire accident, DON'T use device in following situations,
  - If peculiar smell found or fog comes from the product
  - If water or metal parts get inside the product
  - If the housing is deformed or damaged
  - If internal wire is broken
- As the device is high voltage, please DON'T open the housing at random to avoid fire or electric shock.
- DON'T put any conducting liquid on top of the product, to avoid fire or electric shock.
- The product is I type, should be connected to ground.



- Display

|                        |                            |
|------------------------|----------------------------|
| screen size            | 23.8 inch                  |
| matrix type            | IPS                        |
| resolution             | 1920*1080                  |
| brightness             | 250cd/ m <sup>2</sup>      |
| contrast ratio         | 1000:1                     |
| aspect ratio           | 16:9                       |
| view angle             | 89/89/89/89                |
| backlight lifespan     | 30000 hours                |
| response time (if any) | 30(Typ.)(Tr+Td)ms          |
| screen tilt            | 0-25° motorized adjustable |
| touch (if any)         | 10 point capacity          |

- Electronical

|                      |                         |
|----------------------|-------------------------|
| signal input         | HDMI+HDMI+DP            |
| data input           | USB 3.0                 |
| touch input (if any) | USB touch               |
| terminal block       | PC switch+signal switch |
| protocol             | RS485                   |
| power supply         | AC 220V 50Hz            |
| power consumption    | <60W                    |

- Mechanism

|                   |   |
|-------------------|---|
| cover plate       | anodized aluminium                                    |
| finishing         | black/silver, matt/brushed<br>customization available |
| G.W.              | 19.5kgs   |
| packing dimension | 723*716*190mm   |
| temperature       | working 0°C~+50°C, storage -20°C~+60°C                |
| humidity          | working ≤ 90%, storage ≤ 90%                          |

- Accessory

|            |                     |
|------------|---------------------|
| power cord | RS485 control cable |
|------------|---------------------|

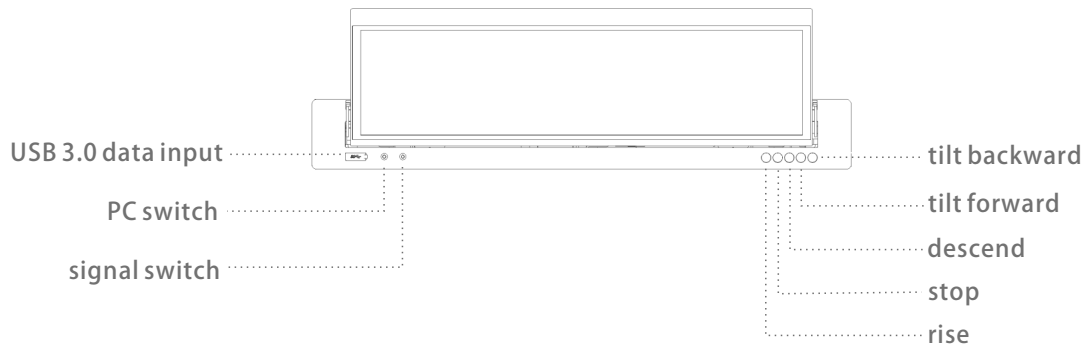
- Control

|        |       |
|--------|-------|
| manual | RS485 |
|--------|-------|

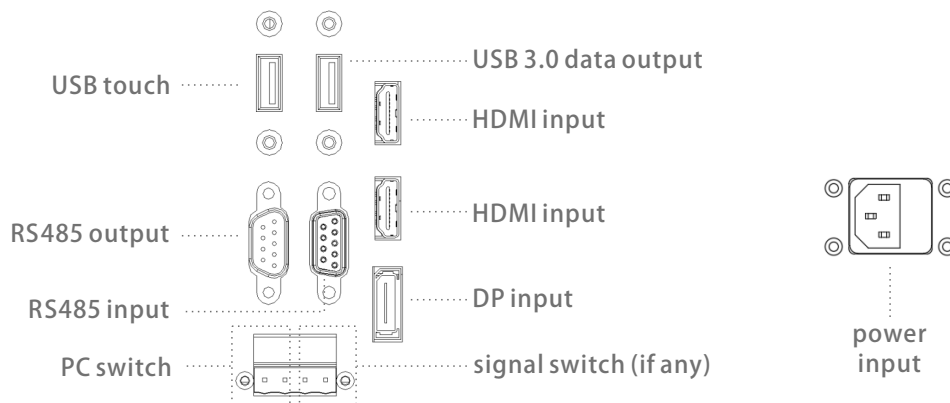
*Above specifications are subject to change without prior notice,  
explanation right reserved.*



## Cover plate



## Connectors on the housing

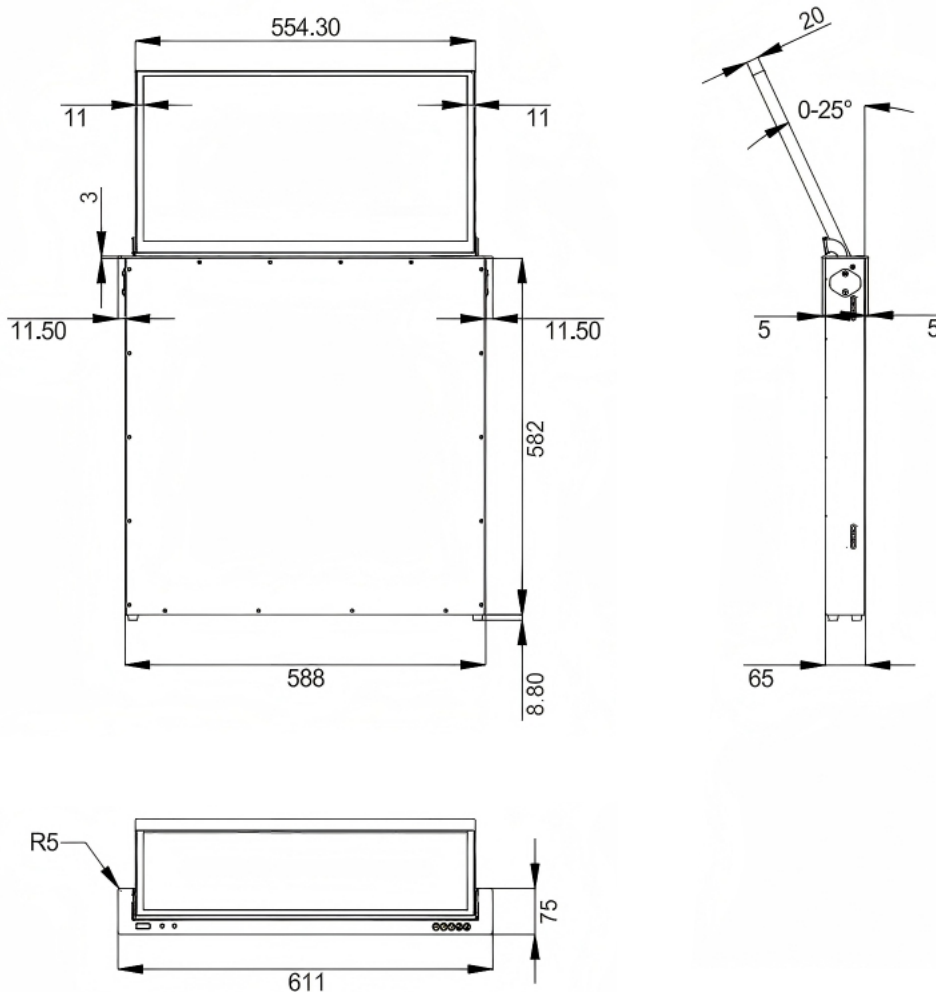


## Warranty

1 year by default, effective from delivery date  
price increase 3% when extend to 2years  
price increase 5% when extend to 3years  
price increase 10% when extend to 5years



## Dimensions



*Above dimensions for reference and subject to change, please double confirm.*



## Control codes

Hexadecimal control demand codes, RS485 protocol  
Control port definition: 1 for 485+ ; 2 for 485- ; 5 for grounding

Baud rate: 4800  
Data bit: 8  
Parity bit: NONE  
Stop bit: 1

When control all the units, no need to reset ID for each device, please use below codes

|             |                            |
|-------------|----------------------------|
| rise all    | FF AC E1 FF 00 00 DD 01 DC |
| stop all    | FF AC E1 FF 00 00 CD 01 CC |
| descend all | FF AC E1 FF 00 00 ED 01 EC |

During central control programming, please send below codes by keep pressing without

|                            |                            |
|----------------------------|----------------------------|
| break tilt forward for all | FF AC E1 FF 00 00 1D 01 1C |
| tilt backward for all      | FF AC E1 FF 00 00 2D 01 2C |

When control the units in groups(15 max.), use below codes after deviding the units into several groups

|               |                            |
|---------------|----------------------------|
| group #1      |                            |
| rise          | FF AC E1 E1 00 00 DD 01 BE |
| stop          | FF AC E1 E1 00 00 CD 01 AE |
| descend       | FF AC E1 E1 00 00 ED 01 CE |
| tilt forward  | FF AC E1 E1 00 00 1D 00 FE |
| tilt backward | FF AC E1 E1 00 00 2D 01 0E |

|               |                            |
|---------------|----------------------------|
| group #2      |                            |
| rise          | FF AC E1 E2 00 00 DD 01 BF |
| stop          | FF AC E1 E2 00 00 CD 01 AF |
| descend       | FF AC E1 E2 00 00 ED 01 CF |
| tilt forward  | FF AC E1 E2 00 00 1D 00 FF |
| tilt backward | FF AC E1 E2 00 00 2D 01 0F |

|               |                            |
|---------------|----------------------------|
| group #3      |                            |
| rise          | FF AC E1 E3 00 00 DD 01 C0 |
| stop          | FF AC E1 E3 00 00 CD 01 B0 |
| descend       | FF AC E1 E3 00 00 ED 01 D0 |
| tilt forward  | FF AC E1 E3 00 00 1D 01 00 |
| tilt backward | FF AC E1 E3 00 00 2D 01 10 |

|               |                            |
|---------------|----------------------------|
| group #4      |                            |
| rise          | FF AC E1 E4 00 00 DD 01 C1 |
| stop          | FF AC E1 E4 00 00 CD 01 B1 |
| descend       | FF AC E1 E4 00 00 ED 01 D1 |
| tilt forward  | FF AC E1 E4 00 00 1D 01 01 |
| tilt backward | FF AC E1 E4 00 00 2D 01 11 |