



# Digital Lectern



## Keywords

- *21.5-inch touchscreen with anti-glare treatment*
- *Built-in PC*
- *Drawer for mouse and keyboard*
- *Adjustable height*
- *Dual mic with standard XLR connector*
- *Extended HDMI inputs and outputs*

CE  
FCC  
RoHS



Thanks for choosing us,  
Please read this instruction carefully before using the device.



*Please remove the transportation screws in the back, right, left side of housing and protection foam of the screen before power up to avoid damage to the product!*

In order to make sure the device is working properly, please follow below instructions:

- If found any abnormal situation, please cut off the power, plug off the power cord and contact the supplier. To avoid any fire accident, DON'T use device in following situations,
  - If peculiar smell found or fog comes from the product
  - If water or metal parts get inside the product
  - If the housing is deformed or damaged
  - If internal wire is broken
- As the device is high voltage, please DON'T open the housing at random to avoid fire or electric shock.
- DON'T put any conducting liquid on top of the product, to avoid fire or electric shock.
- The product is I type, should be connected to ground.





## ● Display

screen size	21.5 inch, 10 point capacity touch
matrix type	IPS
resolution	1920*1080
brightness	300cd/ m <sup>2</sup>
contrast ratio	1000:1
aspect ratio	16:9
view angle	89/89/89/89
backlight lifespan	30000 hours
response time	30(Typ.)(Tr+Td)ms
screen tilt	0~70° manually adjustable

## ● Microphone

stem length	43cm
voice capture distance	50cm
directionality	hypercardioid
frequency response	40Hz-16KHz
sensitivity	-38dB±2dB
output	3-pin XLR
output impedance	200Ω
power supply	48V phantom power

*Above specifications are subject to change without prior notice, explanation right reserved.*



● Built-in PC

CPU	i5-12Gen
RAM	8G
SSD	256G

● Electronical

extended signal input	HDMI
data input	USB 3.0 * 2
output	HDMI * 2, Audio * 2
power supply	AC 220V~250V 50~60Hz
power consumption	<200W

● Mechanism

height	1013-1211mm motorized adjustable
G.W.	105kgs
packing dimension	850*650*1340mm
temperature	working 0°C~+50°C, storage -20°C~+60°C
humidity	working ≤90%, storage ≤90%

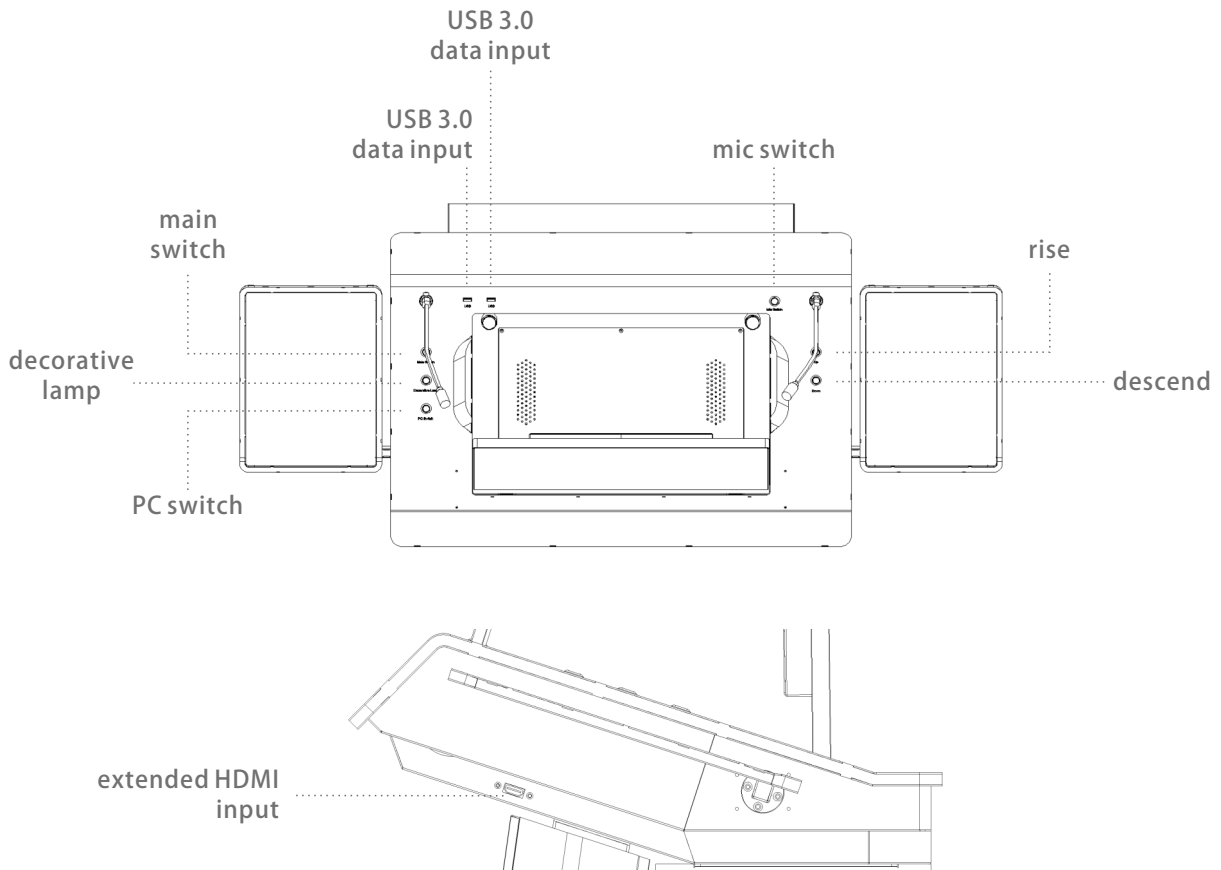
● Accessory

power cord
------------

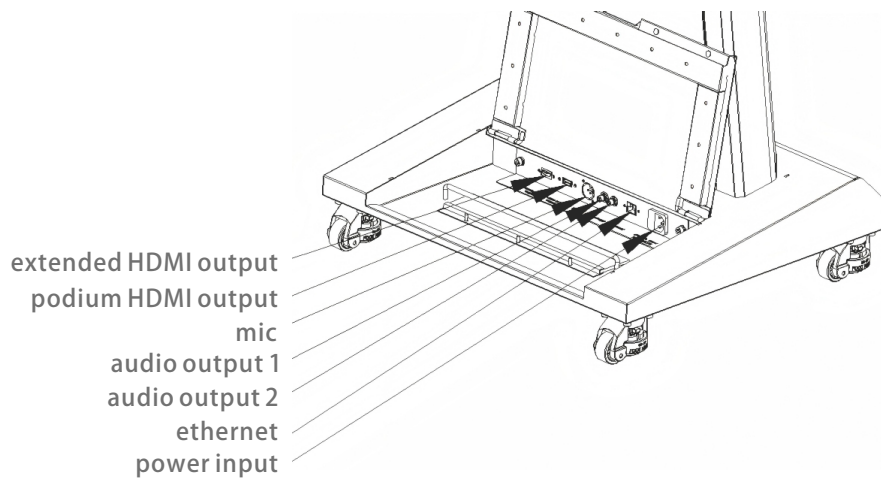
*Above specifications are subject to change without prior notice, explanation right reserved.*



## Lecturer plate



## Connectors from the bottom

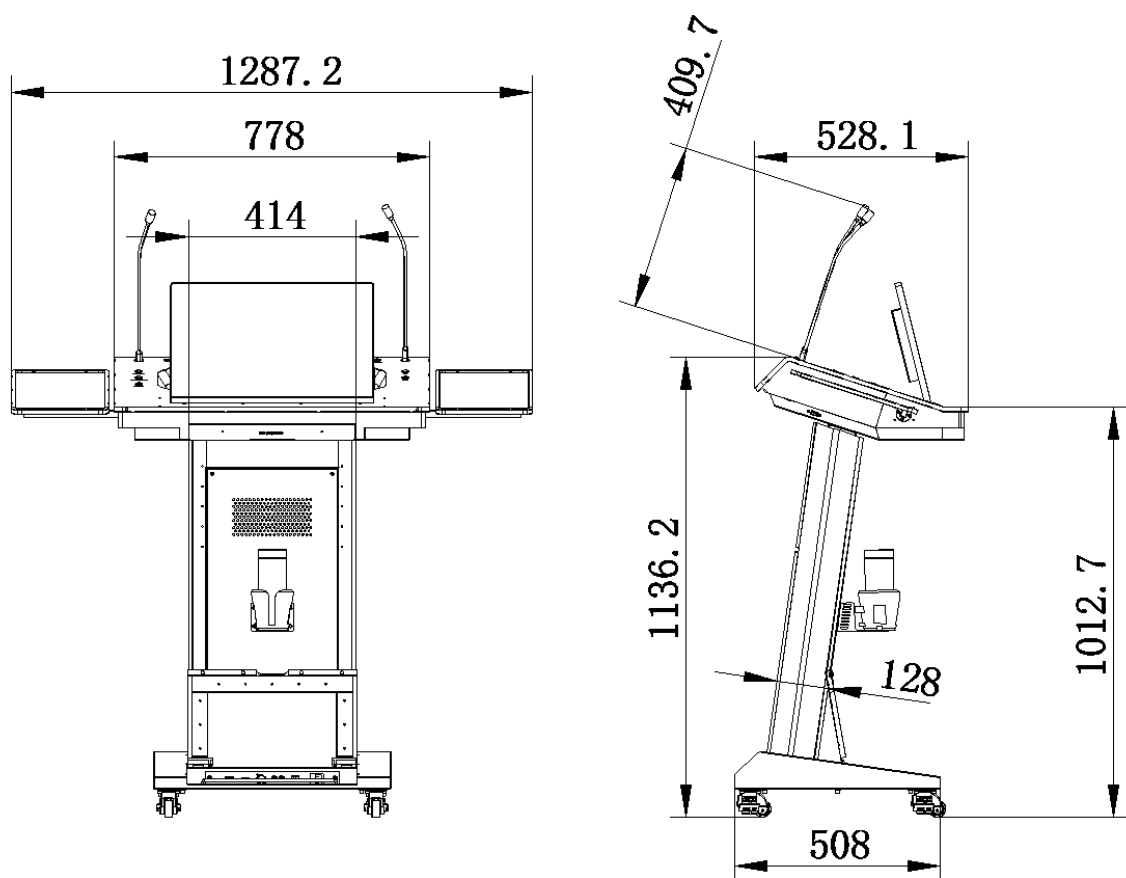


## Warranty

1 year by default, effective from delivery date  
price increase 3% when extend to 2years  
price increase 5% when extend to 3years  
price increase 10% when extend to 5years



## Dimensions



*Above dimensions for reference and subject to change, please double confirm.*

